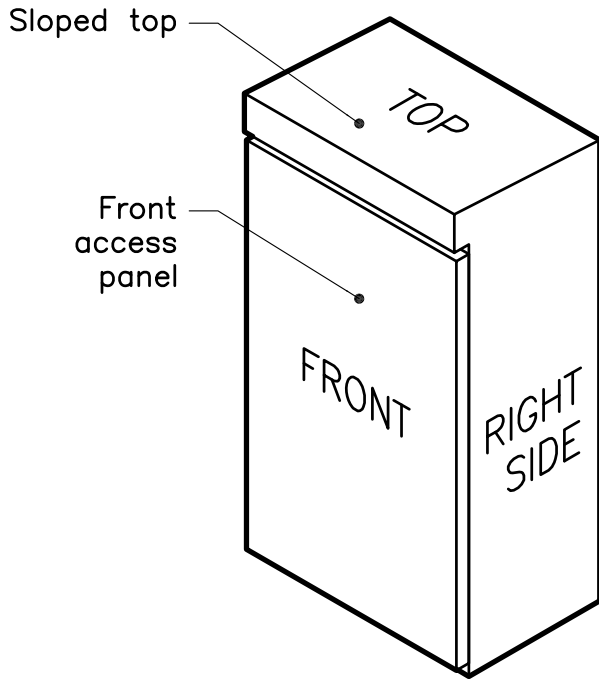
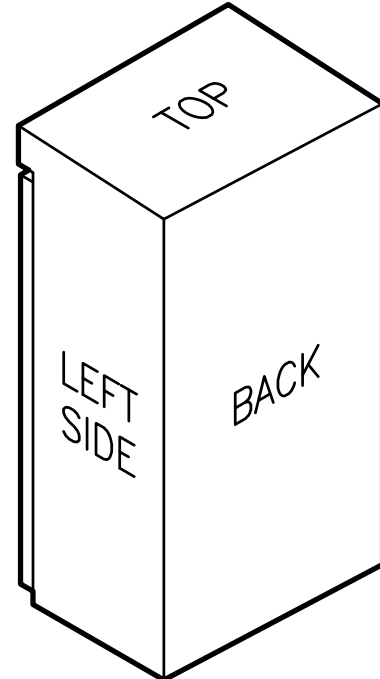


NOTES:

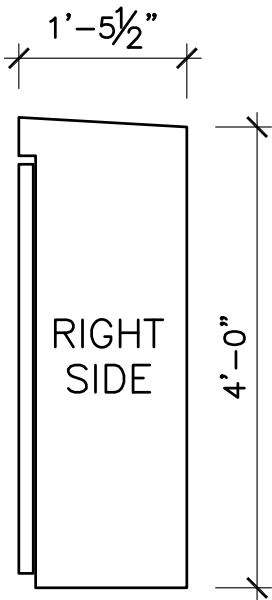
1. Selected works shall be printed and installed on exterior grade colored vinyl.
2. Dimensions provided below describe approximate size of exterior traffic enclosure. Actual dimensions may vary by  $\pm \frac{1}{2}$ "
3. Final print submissions may undergo minor alterations by the installer to suit on-site conditions.
4. Artist to account for typical bleed and crop of  $\frac{1}{2}$ ", full perimeter.



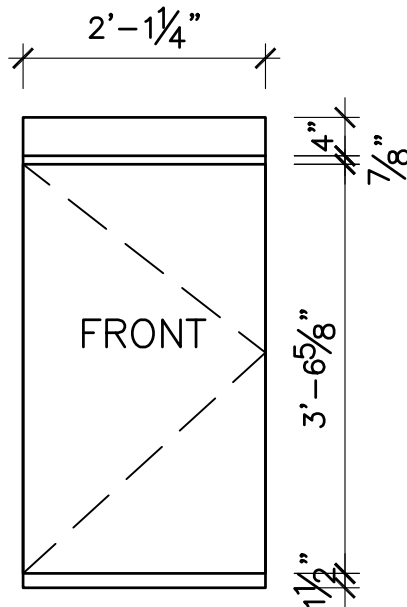
ISOMETRIC  
SCALE  $\frac{1}{2}$ " = 1'-0"



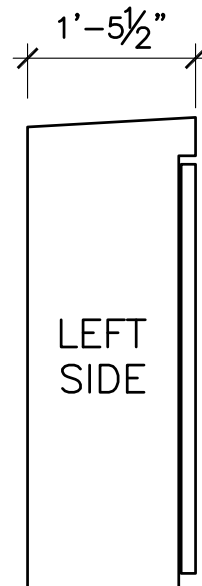
ISOMETRIC  
SCALE  $\frac{1}{2}$ " = 1'-0"



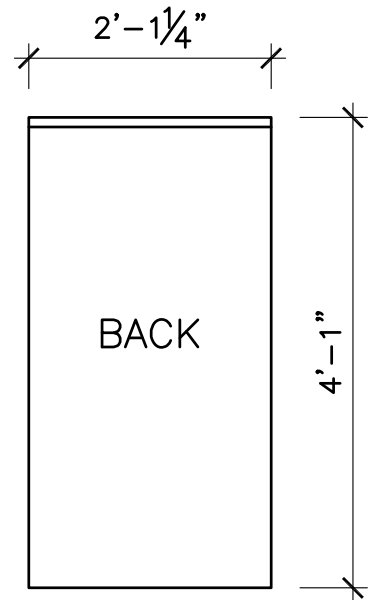
RIGHT SIDE VIEW  
SCALE  $\frac{1}{2}$ " = 1'-0"



FRONT VIEW  
SCALE  $\frac{1}{2}$ " = 1'-0"



LEFT SIDE VIEW  
SCALE  $\frac{1}{2}$ " = 1'-0"



BACK SIDE VIEW  
SCALE  $\frac{1}{2}$ " = 1'-0"