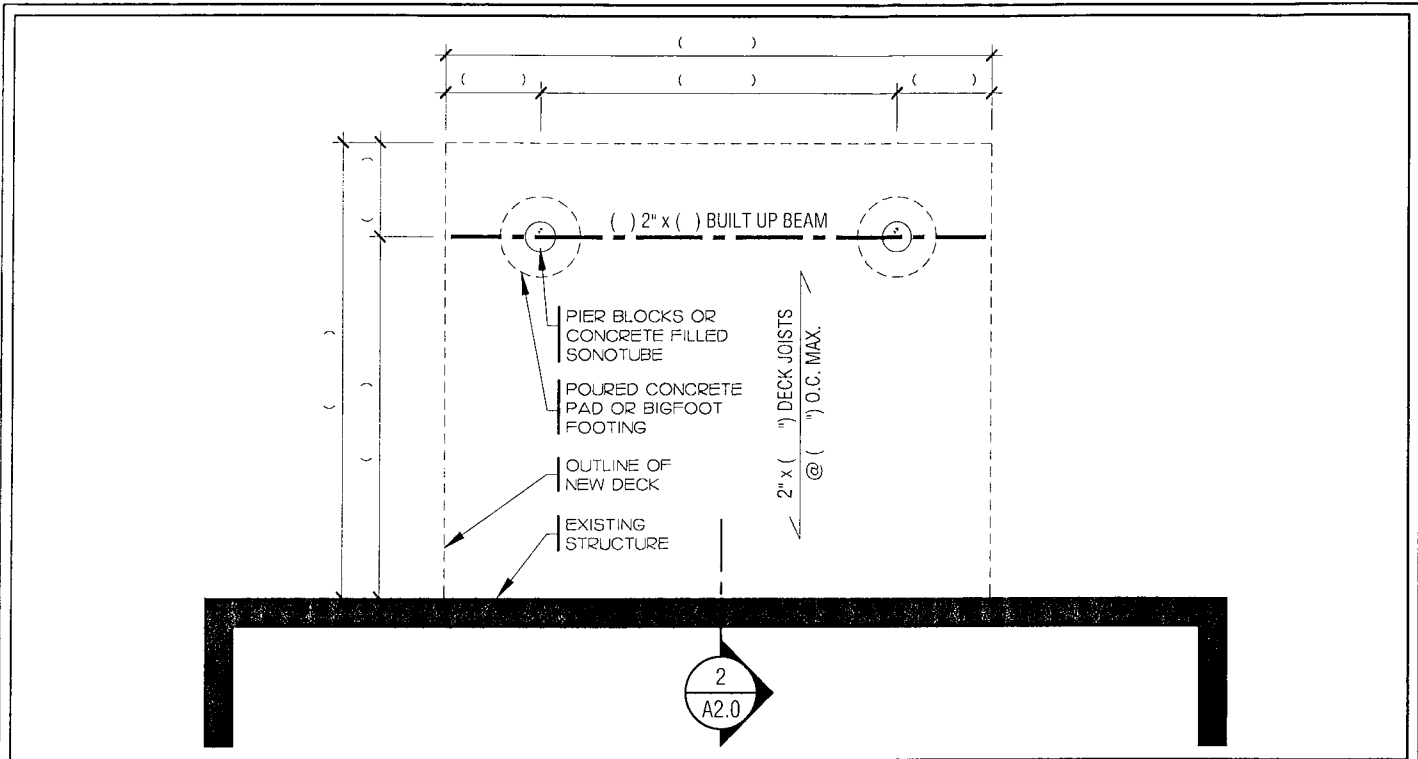


1 SITE PLAN
 A1.0 SCALE 3/32" = 1'-0"

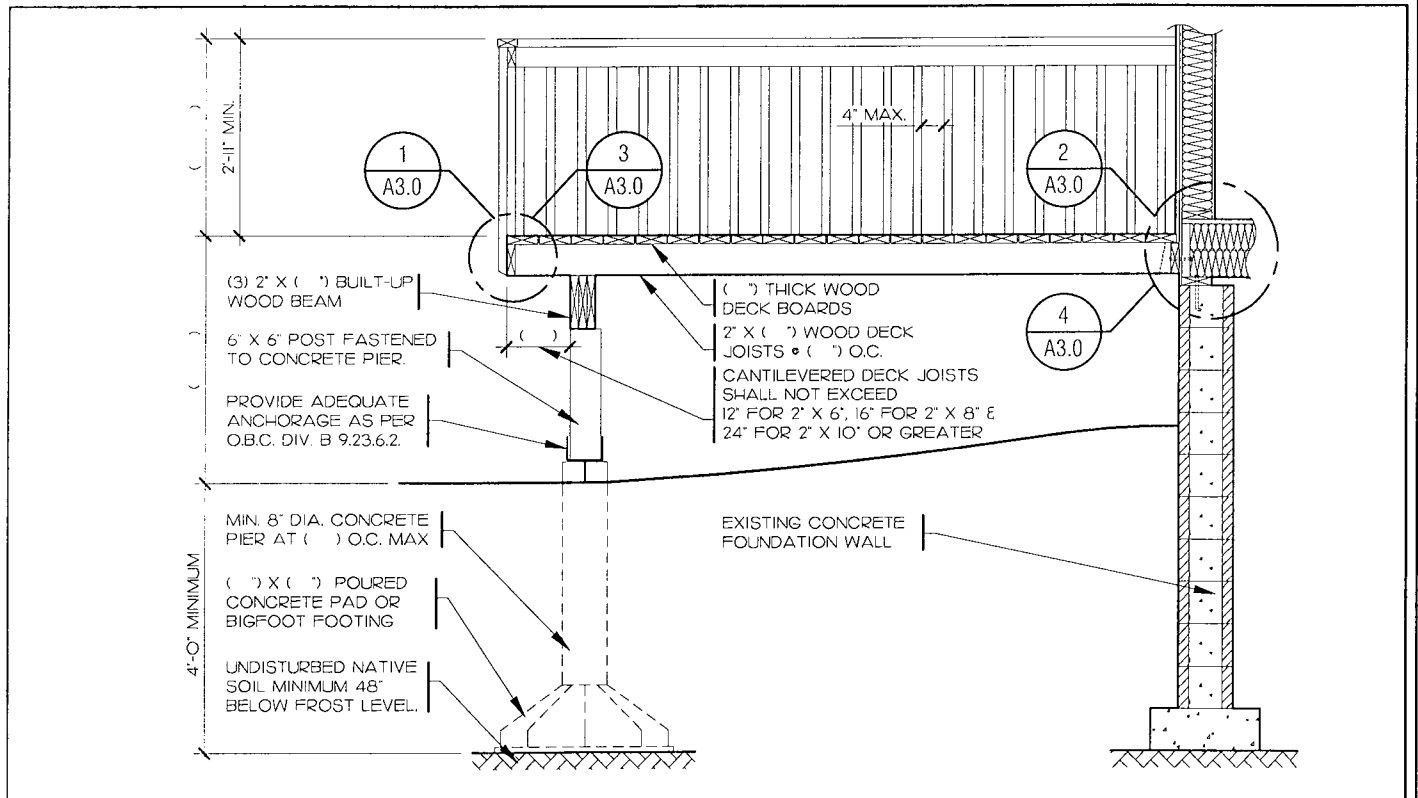
SAMPLE SITE PLAN
 FOR A SUNDECK
 THIS SAMPLE IS INTENDED TO ASSIST THE APPLICANT IN
 PREPARING THEIR PLAN OF PROPOSED CONSTRUCTION



A1.0
 PAGE NUMBER



1 FOUNDATION PLAN
 A2.0 SCALE 1/4" = 1'-0"

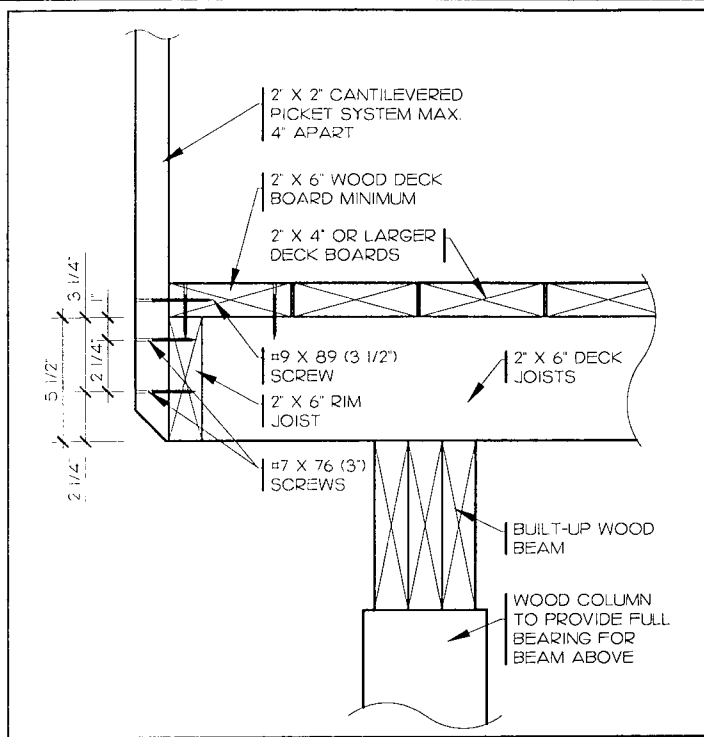


2 CROSS SECTION
 A2.0 SCALE 3/8" = 1'-0"

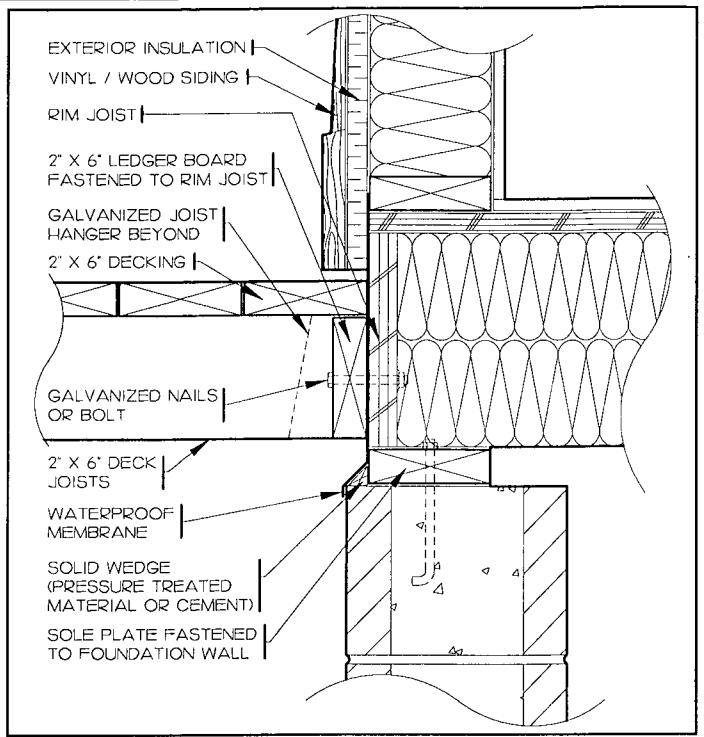
SAMPLE DRAWINGS
 FOR A SUNDECK
 THIS SAMPLE IS INTENDED TO ASSIST THE APPLICANT IN
 PREPARING THEIR PLAN OF PROPOSED CONSTRUCTION



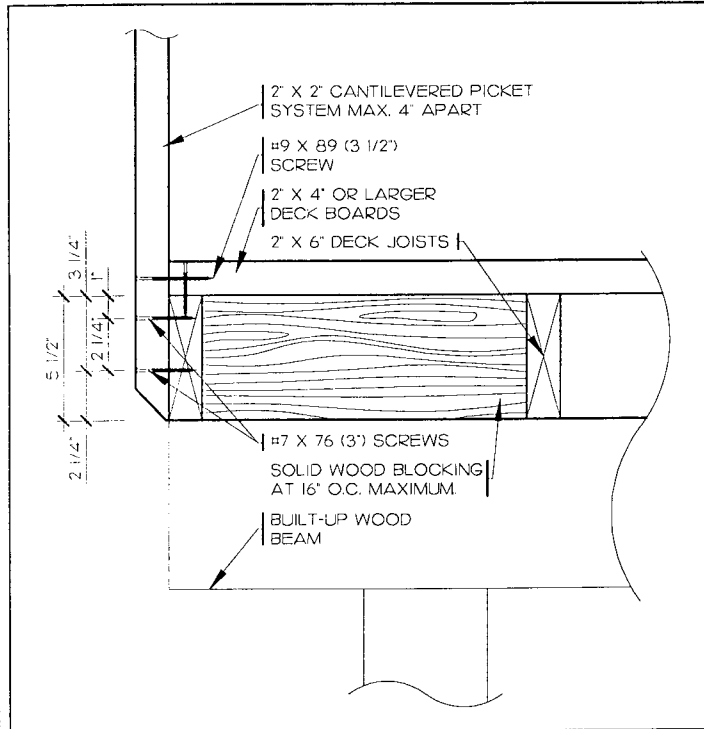
A2.0
 PAGE NUMBER



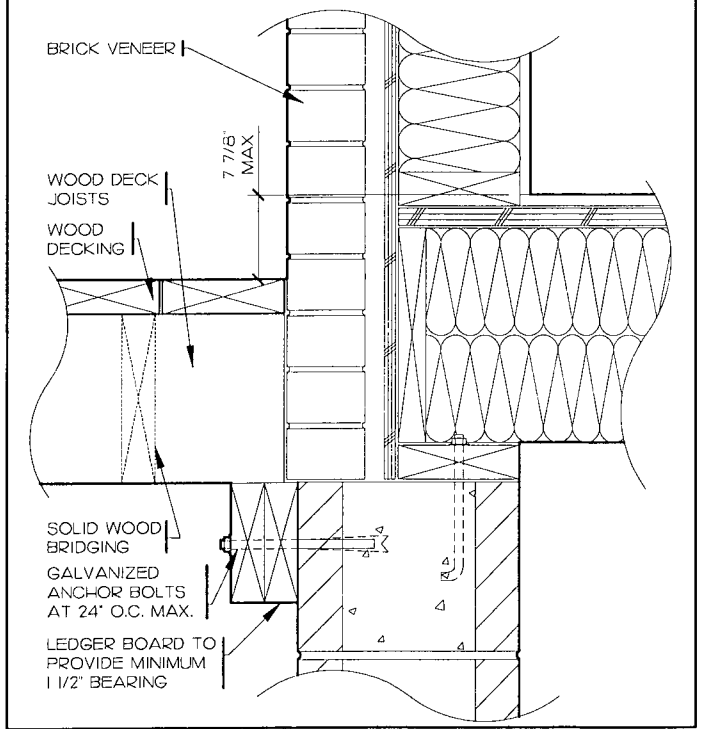
1 DETAIL ED-3 FOR 2" X 6" JOIST
 A3.0 SCALE 1 1/2" = 1'-0"



2 DECK CONNECTION DETAIL (VINYL SIDING)
 A3.0 SCALE 1 1/2" = 1'-0"



3 DETAIL ED-3 FOR 2" X 6" JOIST PARALLEL TO GUARD
 A3.0 SCALE 1 1/2" = 1'-0"



4 DECK CONNECTION DETAIL (BRICK VENEER)
 A3.0 SCALE 1 1/2" = 1'-0"

SAMPLE DETAILS
 FOR A SUNDECK
 THIS SAMPLE IS INTENDED TO ASSIST THE APPLICANT IN
 PREPARING THEIR PLAN OF PROPOSED CONSTRUCTION



A3.0
 PAGE NUMBER